

## Ventury

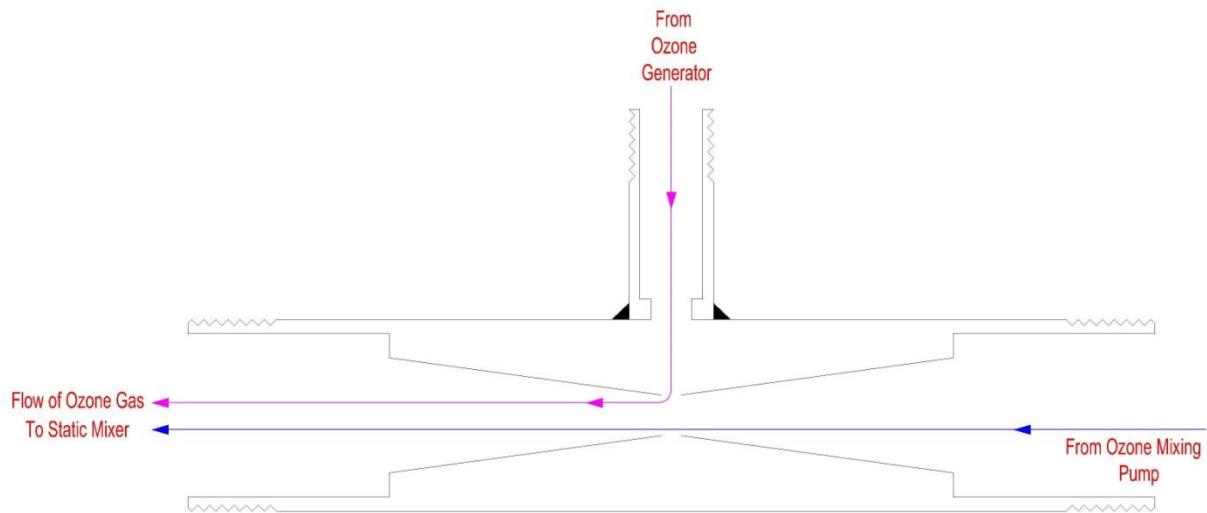


**Fig 1**

Ventury is a mechanical device that is used to suck in ozone gas and mix it with water. Ventury is a device connected between ozone mixing pump and static mixer, where water is flowing and ozone is introduced from the third opening. MOC of ventury should be an excellent antioxidant else, over the period of short time it will get corroded/oxidized by strong concentration of pure ozone & will fail to operate.

### **Working Principle**

There are three openings in a ventury as shown in fig 2, water enters the ventury from ozone mixing pump, due to sudden change in pressure the flow increases and the ozone gets sucked in from the ozone generator. This mixture of ozone gas and water then exits the ventury passing to the static mixer.

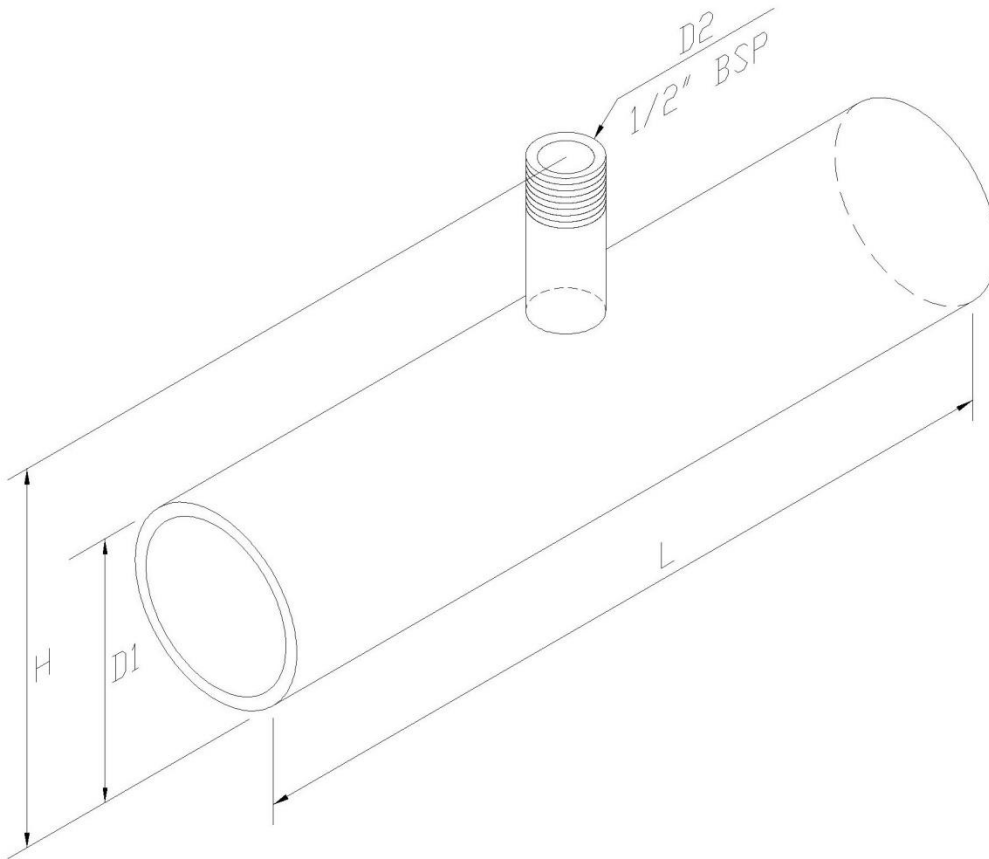


**Fig 2**

### **Function of Ventury**

- The main function of ventury is to create negative pressure and suck in ozone gas and mix it with water. The process is explained in Fig 2.

**Dimension:**



Size	L	H	D1	D2
1"	130	85.7	33.7	1/2" BSP
1 1/2"	240	106.9	47.5	1/2" BSP
2"	260	117.4	60.0	1/2" BSP